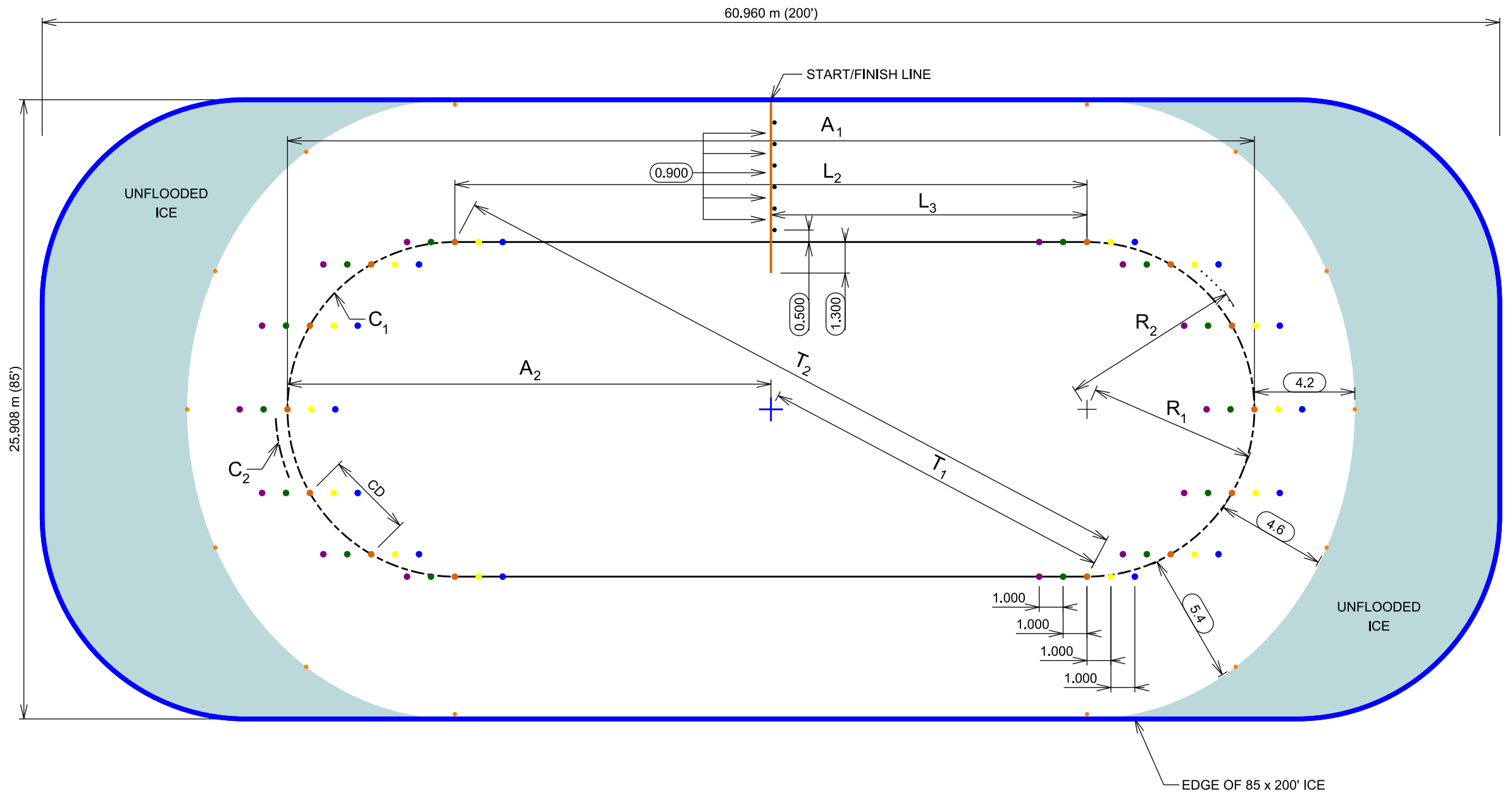


Track Dimension Summary: 7.0 m Radius, 100.000 m Skated Track			
Description	Formula For Calculation	Value	
Straights			
L <sub>1</sub>	Total Length of Straights	TD <sub>2</sub> - C <sub>2</sub>	52.876
L <sub>2</sub>	Length of One Straight	L <sub>1</sub> /2	26.438
L <sub>3</sub>	Length of 1/2 of One Straight	L <sub>1</sub> /4	13.219
T <sub>1</sub>	Center to Start of Curve	$(T_1)^2 = (R_1)^2 + (L_3)^2$	14.958
T <sub>2</sub>	Start of Curve to Start of Curve (Measured on a diagonal)	T <sub>1</sub> *2	29.916
A <sub>1</sub>	Mid-Point of Curve to Mid-Point of Curve	L <sub>2</sub> + (R <sub>1</sub> *2)	40.438
A <sub>2</sub>	Center to Mid-Point of Curve	A <sub>1</sub> /2	20.219
Curves			
R <sub>1</sub>	Layout Curve Radius	Curve Radius	7.000
R <sub>2</sub>	Skated Radius	R <sub>1</sub> + 0.500	7.500
C <sub>1</sub>	Marked Track Curve Distance	2*R <sub>1</sub> *PI	43.982
C <sub>2</sub>	Skated Track Curve Distance	2*R <sub>2</sub> *PI	47.124
a	Arc Length Between 2 Blocks	C <sub>1</sub> /12	3.665
∅	Angle Between Blocks From Radius Center (Radians)	a/R <sub>1</sub>	0.52360
CD	Chord Distance Between Blocks	2*R <sub>1</sub> *sin(∅/2)	3.623
Total Distance			
TD <sub>1</sub>	Total Distance at Blocks	L <sub>1</sub> + C <sub>1</sub>	96.858
TD <sub>2</sub>	Total Distance Skated Track	Total Track Skated	100.000



NOTE: PRINT DIAGRAM ON 11" X 17" PAPER

DWN. BY A. PHINNEY DATE Sept 17, 2010

DWG No. SSC2010-005 REV.



SCALE 1:200

PROJECT TITLE

100 m Racing Track on  
25.908 m x 60.960 m Ice

DRAWING TITLE

7 m Radius / 100.000 m Skated



Speed Skating Canada  
2781 Lancaster Road, Suite 402  
Ottawa, Ontario, K1B 1A7  
Tel: (613) 260-3669 Fax: (613) 260-3660  
Email: ssc@speedskating.ca